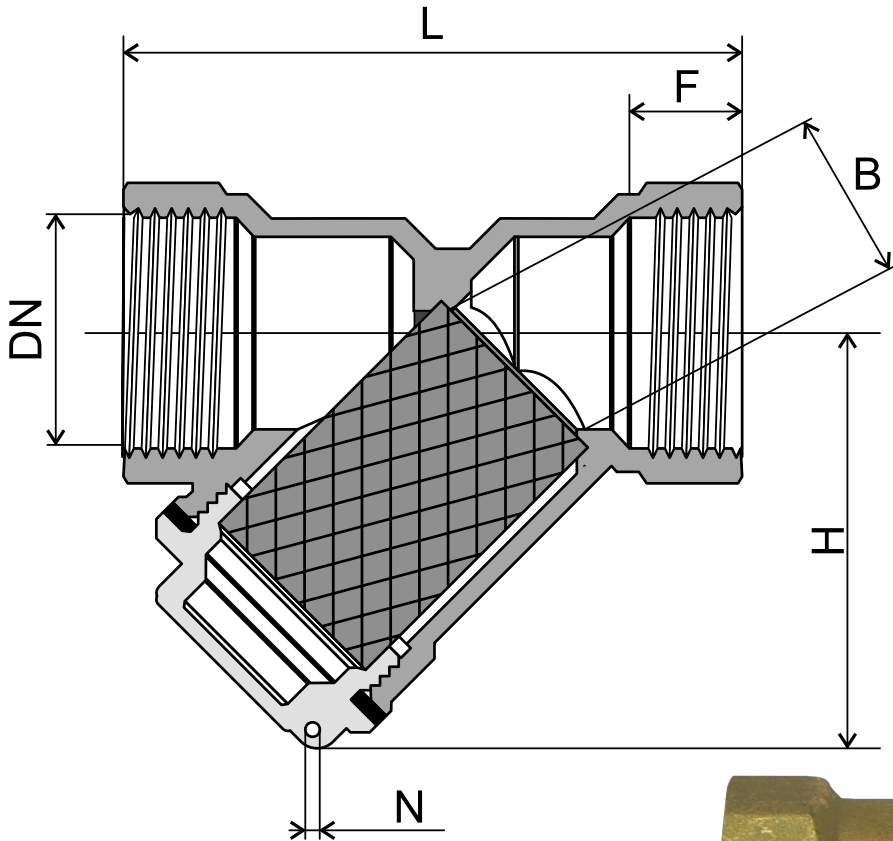


BS 202

BRASS STRAINER "Y" TYPE

According to PED 97/23/CE and it is CE marking-free as per art. 3 par. 3

www.ecivalve.it

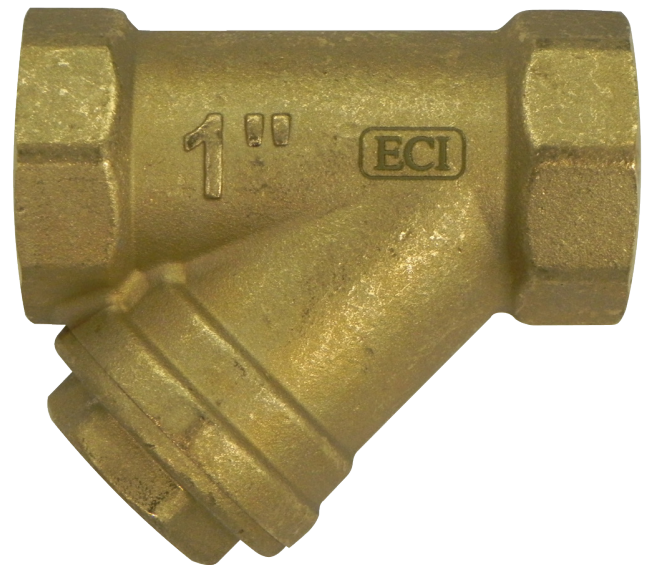


Specifications:

- WORKING PRESSURE: PN16
- WORKING TEMPERATURE: 0°C +100°C
- THREADED ACCORDING TO ISO 228/1 FXF
- SUITABLE MEDIA: WATER, OIL & AIR

Dimensions (mm)

DN	Size (Inch)	L	H	F	N	B	Weight KGS
15	1/2"	56	40	11	2	15	0,14
20	3/4"	67	46	11	2	18	0,18
25	1"	74	50	14	2	20	0,31
32	1.1/4"	96	67	15	2	31	0,50
40	1.1/2"	104	74	15	2	37	0,73
50	2"	125	90	18	2	44	1,19
65	2.1/2"	146	107	19	3	58	2,17
80	3"	170	123	21	3	70	2,70
100	4"	210	152	25	3	85	6,40



Materials

Description	Material
Body	Brass CW617N UNI-EN 12165
Screen	Stainless Steel AISI 304
Gasket	PTFE
Cap	Brass CW617N UNI-EN 12165



All data, descriptions and pictures contained in this leaflet may be subject to change without prior notice.

European Casting Industry Srl | Via Lazzaretto, 11 | 20124 Milan MI, Italia | P.Iva: 03228761205 | www.ecivalve.it | info@ecivalve.it