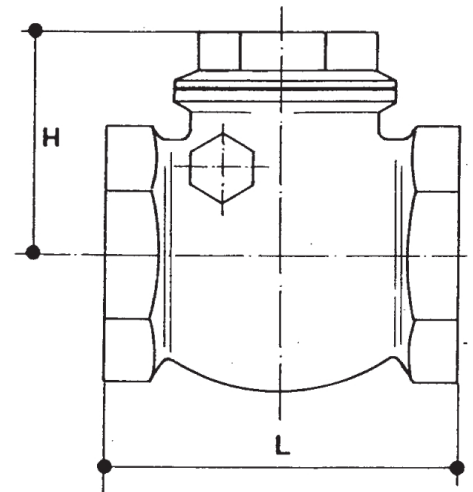


BS 302

BRASS CHECK VALVE
SWING TYPE

ECI EUROPEAN
CASTING
INDUSTRY

www.ecivalve.it



Specifications:

- WORKING PRESSURE: PN 10
- WORKING TEMPERATURE: $T \leq 80^{\circ}\text{C}$
- METAL DISC
- THREADING ACCORDING TO ISO 228/1
- SUITABLE FOR WATER, OIL & AIR

Dimensions (mm)

DN	SIZE INCH	L	H	WEIGHT KGS
15	1/2"	47	24	0.170
20	3/4"	52	26	0.230
25	1"	63	31	0.390
32	1 1/4"	70	37	0.460
40	1 1/2"	84	47	0.730
50	2"	96	50	1.020
65	2.1/2"	116	67	1.590
80	3"	135	76	2.470
100	4"	164	91	3.910

Material

DESCRIPTION	MATERIAL
Body	Brass CW617N UNI-EN 12165 Brass DELTA CS-CB753S UNI-EN1982
Ø 1/2" to 2" Ø 2.1/2" to 4"	
Disc	Brass CW617N UNI-EN 12165
Hinge	Brass CW617N UNI-EN 12165
Hinge Pin	Brass CW617N UNI-EN 12165
Hinge Nut	Brass CW617N UNI-EN 12165

ECI EUROPEAN
CASTING
INDUSTRY

All data, descriptions and pictures contained in this leaflet may be subject to change without prior notice.

European Casting Industry Srl | Via D'Azeglio 57 | 40123 Bologna BO, Italia | P.Iva: 03228761205 | www.ecivalve.it | info@ecivalve.it