

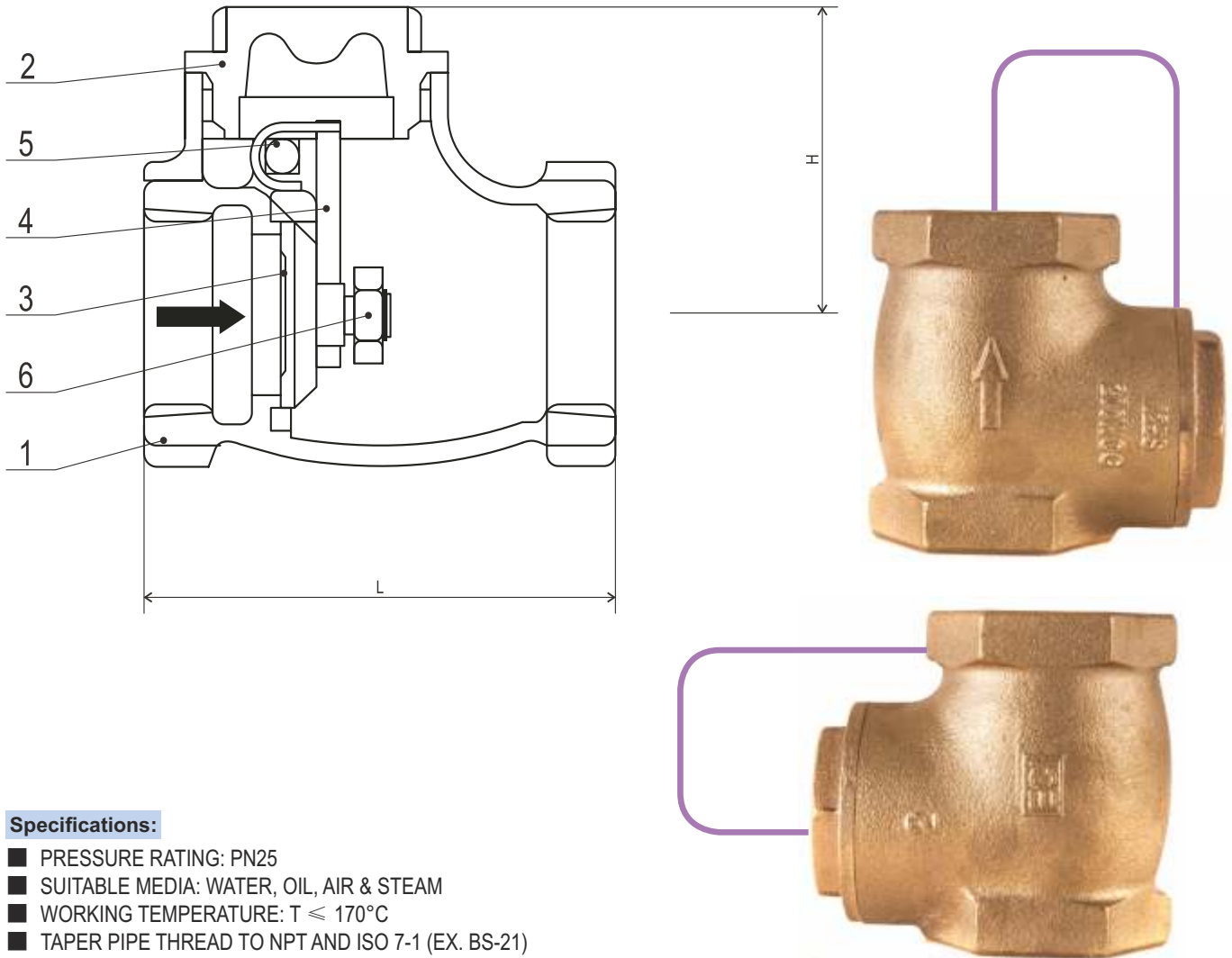
BR 325

BRONZE CHECK VALVE PN 25 SWING TYPE

Conforms to MSS SP-80



www.ecivalve.it



Specifications:

- PRESSURE RATING: PN25
- SUITABLE MEDIA: WATER, OIL, AIR & STEAM
- WORKING TEMPERATURE: $T \leq 170^{\circ}\text{C}$
- TAPER PIPE THREAD TO NPT AND ISO 7-1 (EX. BS-21)

Dimensions (mm)

DN	SIZE INCH	L	H	WEIGHT KGS
10	3/8"	48	33	0.301
15	1/2"	58	38	0.332
20	3/4"	66	42	0.440
25	1"	80	49	0.687
32	1 1/4"	89	56	1.010
40	1 1/2"	95	65	1.423
50	2"	108	76	2.390

Material

No.	DESCRIPTION	MATERIAL
1	Body	Bronze CC491K
2	Cap	Bronze CC491K
3	Disc	Bronze CC491K (1.1/4" - 2")
3	Disc	Brass CW617N (3/8" - 1")
4	Hinge	Bronze CC491K
5	Hinge Pin	Stainless Steel
6	Hinge Nut	Brass CW617N



All data, descriptions and pictures contained in this leaflet may be subject to change without prior notice.

European Casting Industry Srl | Via D'Azeglio 57 | 40123 Bologna BO, Italia | P.Iva: 03228761205 | www.ecivalve.it | info@ecivalve.it