

BR 825

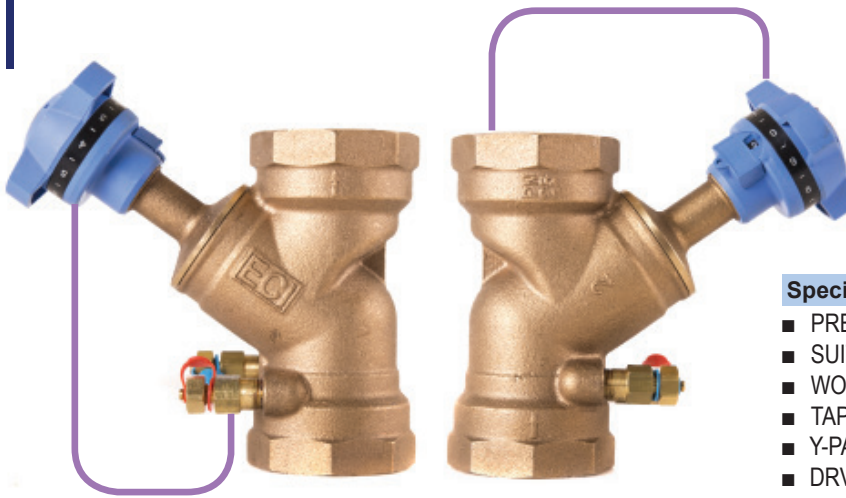
BRONZE FIXED ORIFICE
DOUBLE REGULATING VALVE (DRV)

PN 25

CONFORMS TO BS7350

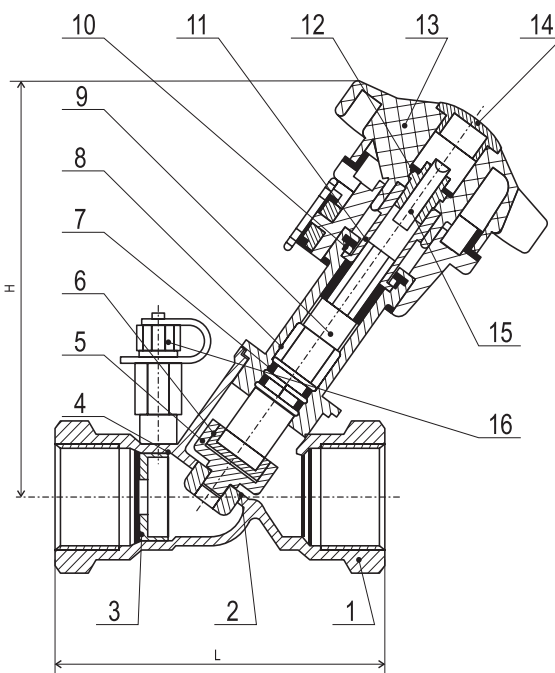


www.ecivalve.it



Specifications:

- PRESSURE RATING: PN 25
- SUITABLE MEDIUM: WATER
- WORKING TEMPERATURE: $T \leq 120^{\circ}\text{C}$
- TAPER PIPE THREAD TO ISO 7-1 (EX. BS-21)
- Y-PATTERN GLOBE VALVE WITH THROTTLING DISC
- DRV WITH A FIXED ORIFICE DESIGN
- ACCURACY $\pm 5\%$ ON ALL SETTINGS
- DRV ALLOWS VALVE OPENING TO BE SET WITH ALLEN KEY.
- DRV HAS A MICROSET HAND WHEEL
- FOR USE IN HVAC & PLUMBING SYSTEMS
- TO BE USED FOR ISOLATING & TO BE RE-OPENED TO ITS PRE-SET POSITION
- SUPPLIED WITH TWO TEST POINTS
- DESIGN AND MANUFACTURE CONFORM TO BS7350



Material

No.	DESCRIPTION	MATERIAL	SIZES
1	Body	Bronze CC491K	All
2	Disc Face	P.T.F.E	1"-2"
2	Disc Face	DZR Brass CW602N	1/2"-3/4"
3	Orifice Plate	DZR Brass CW602N	All
4	Nut	DZR Brass CW602N	All
5	Disc	DZR Brass CW602N	All
6	Disc Retaining Ring	DZR Brass CW602N	All
7	O Ring	N.B.R	All
8	Bonnet	DZR Brass CW602N	1/2"-1 1/4"
8	Bonnet	Bronze CC491K	1 1/2"-2"
9	Stem	DZR Brass CW602N	All
10	Retainer Ring	Stainless Steel 304	All
11	Sleeve	Brass CW617N	All
12	Screw	Brass CW614N	All
13	Handwheel	PA	All
14	Cap	PA	All
15	Screw	Stainless Steel 304	All
16	Test Points	DZR Brass CW602N	All

Dimensions (mm) & Coefficients

DN	SIZE INCH	L	H	FLOW (KV)	KVS	WEIGHT KGS
15	1/2"	87	105	1.72	2.2	0.580
20	3/4"	96	106	2.97	4.6	0.650
25	1	100	127	4.75	8.5	0.890
32	1 1/4"	114	128	10.25	16.7	1.110
40	1 1/2"	125	143	16.83	26.1	1.460
50	2"	146	144	27.26	43.2	1.980



All data, descriptions and pictures contained in this leaflet may be subject to change without prior notice.

European Casting Industry Srl | Via D'Azeglio 57 | 40123 Bologna BO, Italia | P.Iva: 03228761205 | www.ecivalve.it | info@ecivalve.it