

G 103

DUCTILE IRON BUTTERFLY VALVE WAFER SEMI-LUGGED GEAR OPERATED

Conforms to MSS SP-67

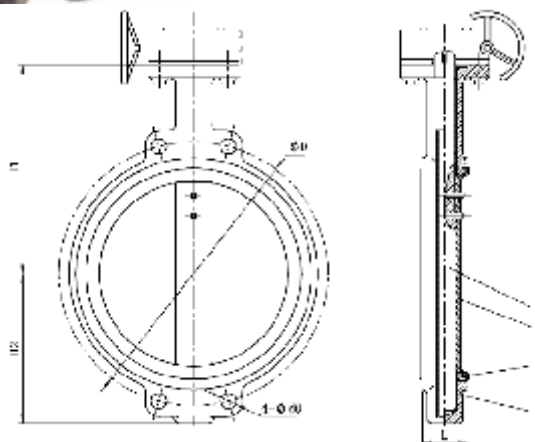
ECI EUROPEAN
CASTING
INDUSTRY

www.ecivalve.it



Specifications:

- WAFER SEMI-LUGGED TYPE BUTTERFLY VALVE WITH GEAR OPERATION
- END CONNECTION SUITABLE FOR FLANGE CONNECTION ANSI B16.5 CLASS 150 OR PN16
- PRESSURE RATING 150 PSI
- DESIGNED & MANUFACTURED TO MEET MSS-SP 67 STANDARD
- NOT SUITABLE FOR STEAM
- SUITABLE MEDIA: FRESH WATER, SEWAGE, SEA WATER, AIR, OIL, ACID & CORROSIVE MEDIA
- WORKING TEMPERATURE FROM -15 TO +120°C / -5°F TO +249°F



Dimensions (mm)

DN	H1	H2	ød	4-ød	BOLTS	L	WEIGHT KGS
150	226	139	242	4-ø22	8 - 3/4" - 10UNC	54.8	11.50
200	260	175	299	4-ø22	8 - 3/4" - 10UNC	59.6	19.50
250	292	203	362	4-ø25	12 - 7/8" - 9UNC	67.0	25.00
300	337	242	432	4-ø25	12 - 7/8" - 9UNC	75.9	38.00
350	368	267	476	4-ø29	12 - 1" - 8UNC	75.5	44.00
400	400	309	540	4-ø29	16 - 1" - 8UNC	90.0	72.00
450	422	327	578	4-ø32	12 - 1 1/8" - 7UNC	104	85.00

Material

No.	DESCRIPTION	MATERIAL	AMERICAN STANDARD
1	Body	Ductile Iron	ASTM A 395
2	Seat	EPDM	-
3	Disc	Stainless Steel	SS316
4	Shaft	Stainless Steel	SS410

ECI EUROPEAN
CASTING
INDUSTRY

All data, descriptions and pictures contained in this leaflet may be subject to change without prior notice.

European Casting Industry Srl | Via D'Azeglio 57 | 40123 Bologna BO, Italia | P.Iva: 03228761205 | www.ecivalve.it | info@ecivalve.it