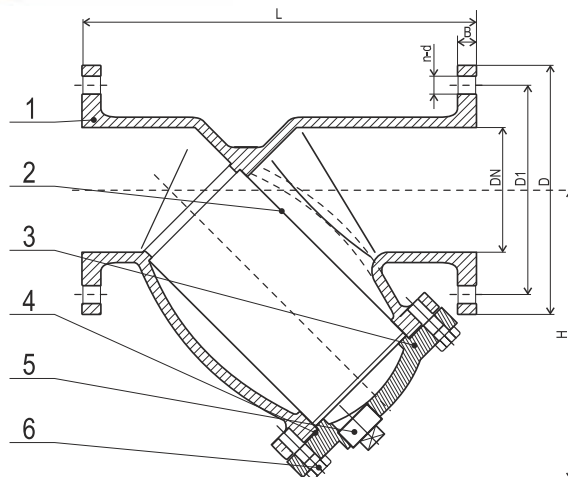


G 201

CAST IRON STRAINER, Y TYPE CL-125 FLANGED

ECI EUROPEAN
CASTING
INDUSTRY

www.ecivalve.it



Dimensions (mm)

DN	SIZE INCH	L	D	D1	B	f	n-d	H	WEIGHT KGS
50	2	230	152	121	20	3	4-19	156	10.1
65	2½	290	178	140	20	3	4-19	176	14.0
80	3	310	190	153	22	3	4-19	199	20.3
100	4	350	229	191	24	3	8-19	240	26.6
125	5	400	254	216	26	3	8-22	292	39.8
150	6	480	279	241	26	3	8-22	320	57.0
200	8	600	343	299	30	3	8-22	399	97.0
250	10	730	406	362	32	3	12-25	516	163.5
300	12	850	483	432	32	4	12-25	568	233.5
350	14	980	533	477	36	4	12-29	648	312.0
400	16	1100	597	540	38	4	16-29	759	422.0

Specifications:

- 125 PSI/8.6 BAR SATURATED STEAM TO 353°F/178°C
- 200 PSI/13.8 BAR WOG FROM -10 TO 65 °C
- FLANGE DRILLED CONFORM TO ANSI B16.1 CL 125
- FACE TO FACE DIMENSION CONFORMS TO SERIES 1 OF BS EN 558-1
- SUITABLE MEDIA: WATERS, OIL, AIR & STEAM

Material

No.	DESCRIPTION	MATERIAL	AMERICAN STANDARD
1	Body	Cast Iron	ASTM A 126 B
2	Screen	Stainless Steel	ANSI 304
3	Bonnet	Cast Iron	ASTM A 126 B
4	Gasket	Graphite	Non Asbestos
5	Screw Plug	Brass	ASTM B584 C84400
6	Bolt	Steel	ASTM A 307

ECI EUROPEAN
CASTING
INDUSTRY

All data, descriptions and pictures contained in this leaflet may be subject to change without prior notice.

European Casting Industry Srl | Via D'Azeglio 57 | 40123 Bologna BO, Italia | P.Iva: 03228761205 | www.ecivalve.it | info@ecivalve.it